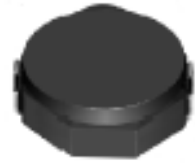
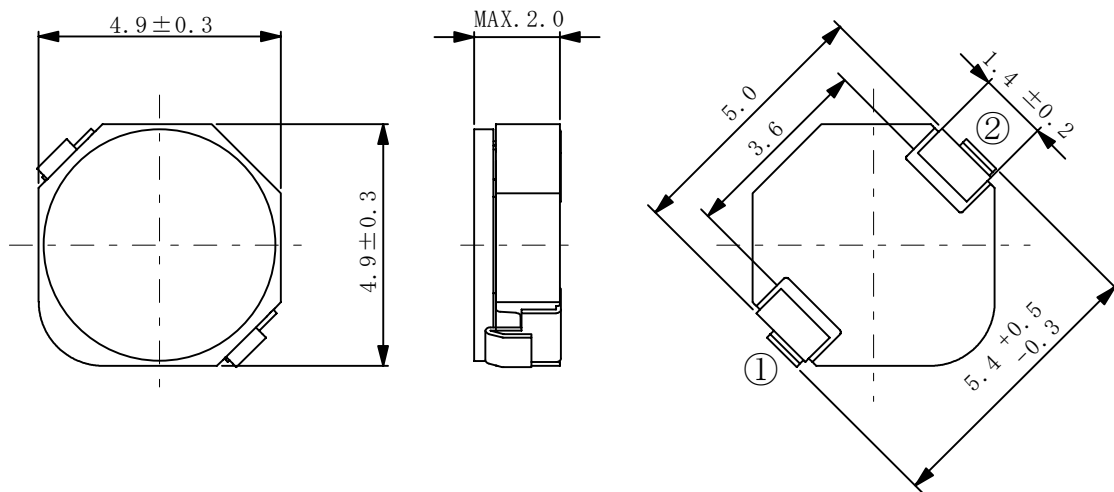
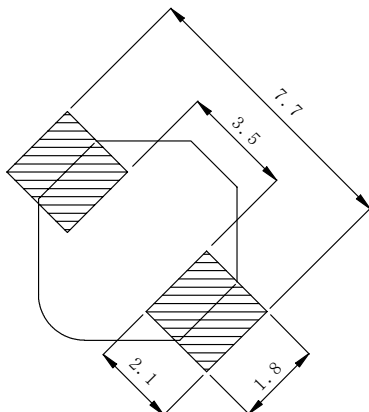


Type: CDPH4D19F
◆ Product Description

- 5.2×5.2mm Max. (L×W), 2.0mm Max. height
- Inductance Range : 3.3~47 μ H
- Rated Current Range : 0.36~1.5A
- In addition to the standard versions of inductors shown here, custom inductors are available to meet your exact requirement


◆ Feature

- Magnetically shielded construction.
- Ideally Used in Notebook PC, MP3, Mobile Phone, DSC/DVC, etc as DC-DC Converter inductors.
- RoHS Compliance

◆ Dimensions (mm)

◆ Land Pattern (mm)


Type: CDPH4D19F
◆ Specification

Part Name ※	Stamp	Inductance [Within] 100kHz/1V	D.C.R.(mΩ) Max.(Typ.) (at 20°C)	Saturation current (A) ※ 1	Temperature rise current (A)※2
CDPH4D19FNP-3R3MC	3R3	3.3 μH ± 20%	33(26)	1.50	3.80
CDPH4D19FNP-4R7MC	4R7	4.7 μH ± 20%	38(30)	1.15	3.30
CDPH4D19FNP-6R8MC	6R8	6.8 μH ± 20%	50(40)	1.00	3.02
CDPH4D19FNP-8R0MC	8R0	8.0 μH ± 20%	56(45)	0.90	2.68
CDPH4D19FNP-100MC	100	10 μH ± 20%	65(52)	0.80	2.32
CDPH4D19FNP-150MC	150	15 μH ± 20%	95(75)	0.66	1.88
CDPH4D19FNP-220MC	220	22 μH ± 20%	135(108)	0.54	1.44
CDPH4D19FNP-330MC	330	33 μH ± 20%	200(160)	0.43	1.25
CDPH4D19FNP-470MC	470	47 μH ± 20%	293(234)	0.36	1.03

※Description of part name

CDPH4D19FNP-3R3M□

- B Box
- C Carrier Tape

※1.Saturation Current: The DC current at which the inductance decreases to 65% of it's nominal value (Ta=20°C)

※2 Temperature rise current: The DC current at which the temperature rise is Δt=40°C. (Ta=20°C)